

QUALITY APPLIANCES FOR ALL TYPES OF KITCHENS



 **Domain**
APPLIANCES

www.domainappliances.com.au



Ovens

2

Cooktops

6

Rangehoods

10

Dishwashers

14

Sinks

15

Taps

19

Domain's extensive range of kitchen appliances has been compiled through many years of research and experience in the kitchen and appliance industries. These products are distributed internationally throughout Europe, Asia and have now been designed specifically for the Australian market.

Our diverse range of high quality appliances cater to almost everyone. Domain understands your needs for easy-to-use kitchen appliances, while providing useful functionality to enhance your kitchen experience. Domain makes time spent in the kitchen a breeze with attention to food preparation and dishcare. Rather than focusing on fancy gizmos that you will never use, Domain focuses on what really matters and that is you. You too will be impressed by not only the high standard of these products but also the amazing price.

Domain appliances are backed by our full 2 year parts and labour warranty so you can rest assured that you have purchased a reliable product when buying from Domain. Our Technical Support and Customer Service team are always ready to take your call and they can be contacted nationwide on 1300 438 266.



OVENS



MECHEO-202 5 FUNCTION FAN FORCED ELECTRIC OVEN - 600mm



Defrost



Grill Element & Fan



Light

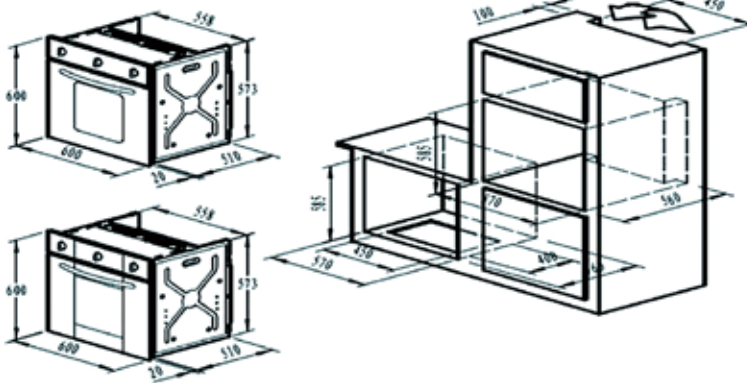


Conventional Fan Forced



Grill Element

- 600mm Electric Fan Forced Oven
- 5 Functions
- Triple Glazed Glass Door
- 50 Litre Capacity
- Closed Door Grill
- Cavity Cooling System
- Mechanical Controls
- 120mins Timer
- Dimensions (WxHxD): 600mm x 600mm x 570mm



MEO-602 5 FUNCTION FAN FORCED ELECTRIC OVEN - 600mm



Defrost



Grill Element & Fan



Light

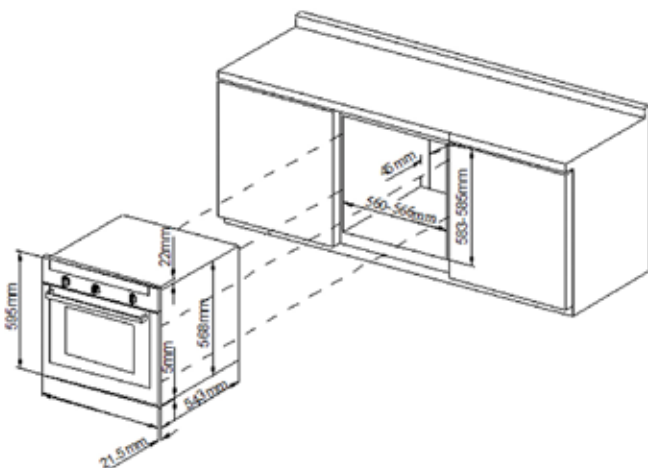


Conventional Fan Forced



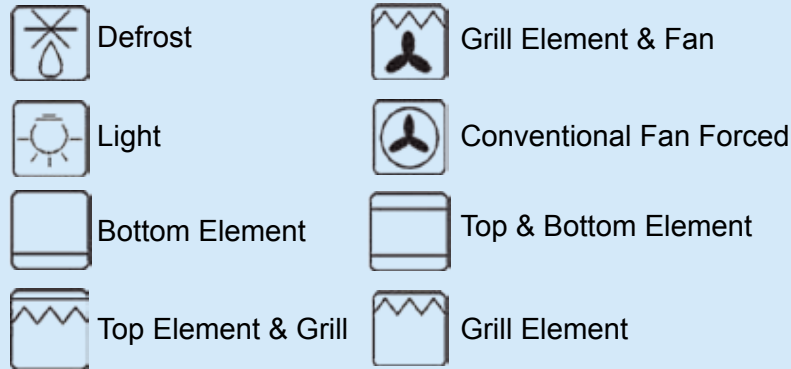
Grill Element

- 600mm Electric Fan Forced Oven
- 5 Functions
- Double Glazed Tinted Glass Door
- 56 Litre Capacity
- Closed Door Grill
- Cavity Cooling System
- Mechanical Controls
- 120mins timer
- Dimensions (WxHxD): 600mm x 600mm x 570mm

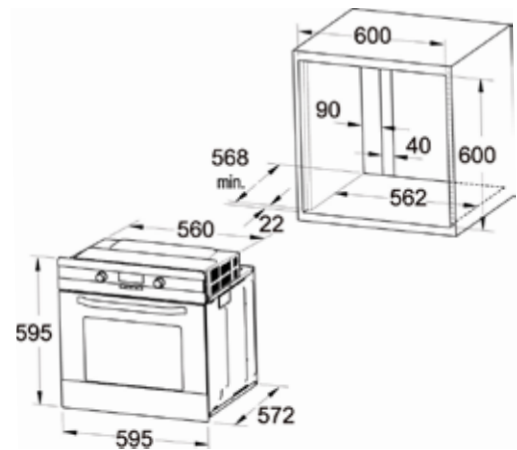


DEO-305

8 FUNCTION FAN FORCED ELECTRIC OVEN - 600mm

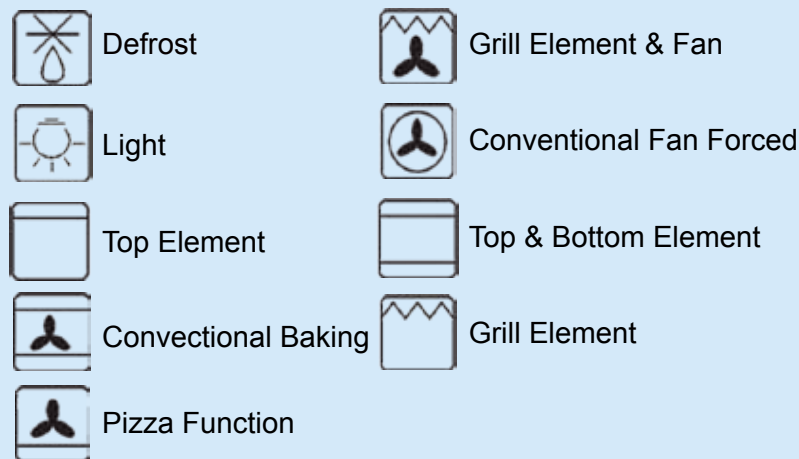


- 600mm Electric Fan Forced Oven
- 8 Functions
- Triple Glazed Reflective Glass Door
- 56 Litre Capacity
- Closed Door Grill
- Easily Removable Door
- Cavity Cooling System
- Finger Mark Resistant Stainless Steel
- Digital LED Control Panel
- Child Lock
- 9 Hour Timer
- Dimensions (WxHxD): 595mm x 595mm x 572mm

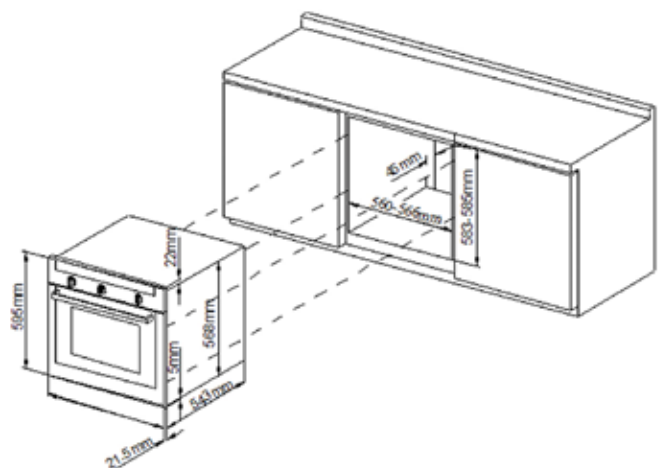


DEO-609

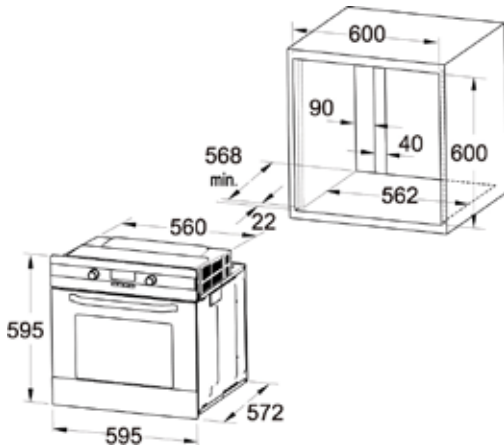
9 FUNCTION FAN FORCED ELECTRIC OVEN - 600mm



- 600mm Electric Fan Forced Oven
- 9 Functions
- Triple Glazed Reflective Glass Door
- 56 Litre Capacity
- Catalytic Self Cleaning Liners (sides and rear)
- Closed Door Grill
- Easily Removable Door
- Cavity Cooling System
- Finger Mark Resistant Stainless Steel
- Child Lock
- 10 Hour Timer
- Dimensions (WxHxD): 595mm x 595mm x 572mm



OVENS



DEO-413 8 FUNCTION FAN FORCED ELECTRIC OVEN - 600mm



Defrost



Grill Element & Fan



Light



Conventional Fan Forced



Bottom Element



Top & Bottom Element

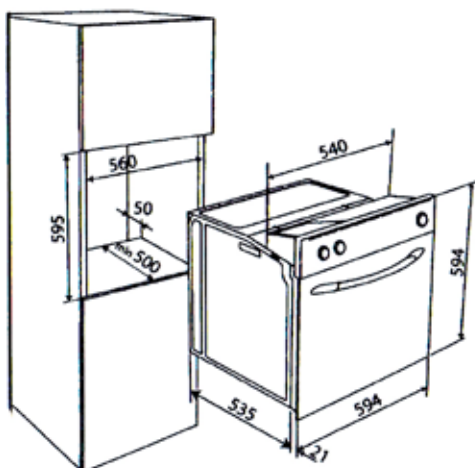


Top Element & Grill



Grill Element

- 600mm Electric Fan Forced Oven
- 8 Functions
- Quadruple Glazed Reflective Glass Door
- 56 Litre Capacity
- Catalytic Self Cleaning Liners (sides & rear)
- Closed Door Grill
- Easily Removable Door
- Cavity Cooling System
- Finger Mark Resistant Stainless Steel
- Digital LED Control Panel
- Push/Pull Knobs
- Child Lock
- 9 Hour Timer
- Dimensions (WxHxD): 595mm x 595mm x 572mm



AUEL-F60SS 4 FUNCTION ITALIAN MADE FAN FORCED ELECTRIC OVEN - 600mm



Defrost



Conventional Fan Forced



Light











Grill Element

- 600mm Electric Fan Forced Oven
- 4 Functions
- Double Glazed Tinted Glass Door
- Closed Door Grill
- Cavity Cooling System
- Mechanical Controls
- 120mins Timer
- Dimensions (WxHxD): 595mm x 595mm x 620mm
- Made in Italy

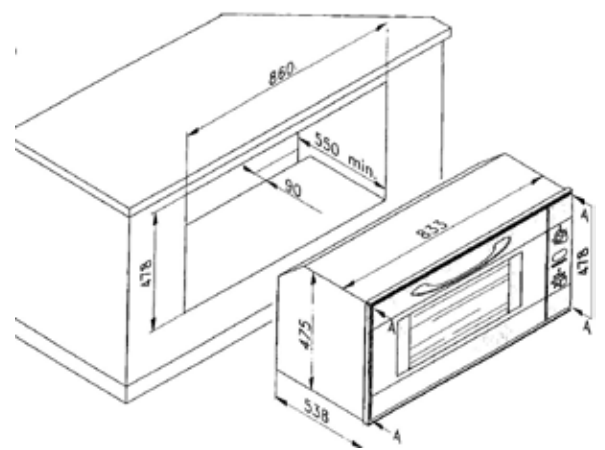
DKB-BO243XLE

8 FUNCTION ITALIAN MADE FAN FORCED ELECTRIC OVEN - 900mm








-  Defrost
-  Grill Element & Fan
-  Light
-  Conventional Fan Forced
-  Bottom Element
-  Top & Bottom Element
-  Top Element
-  Grill Element

- 900mm Multifunction Oven
- Upper and Lower Elements
- Traditional Cooking
- Double Grill & Fan Forced
- Grill & Rotisserie
- LED Programmable Timer
- Closed Door Grilling
- Cavity Cooling System
- Defrost
- Dimensions (WxHxD): 900mm x 480mm x 555mm

OVENS



FSD90-SS 7 FUNCTION ITALIAN MADE FREESTANDING COOKER - 900mm

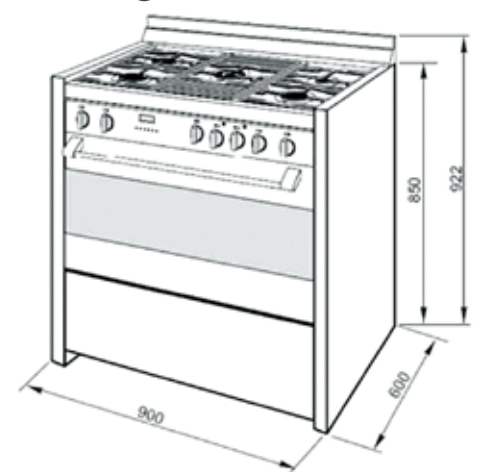
-  Defrost
-  Grill Element & Fan
-  Light
-  Conventional Fan Forced
-  Bottom Element
-  Top & Bottom Element
-  Grill Element

- Finish**
- Finger Mark Resistant Stainless Steel
 - 5 Burner Gas Cooktop
 - 2 Rapid Burners, 1 Semi Rapid, 1 Aux Burner & 1 Central Wok Burner
 - Cast Iron Pan Supports
 - Flame Failure Device

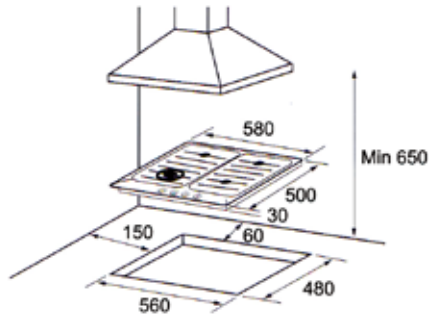
- Multi Function Electric Oven**
- Tangential Cooling Fan
 - Triple Glass Oven Door
 - Electronic Display Programmer & Oven Light

- Accessories**
- 2 Sliding Racks & 1 Enamel Baking Tray
 - Net Oven Volume 105L

UPRIGHT OVEN



COOKTOPS



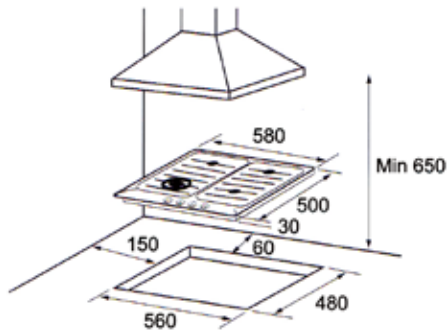
ELECT-4HOTP-60

4 BURNER STAINLESS STEEL ELECTRIC COOKTOP - 600mm

- Four Hot Plates
- Thermostat
- Easy to Clean
- Stainless Steel
- Auto Ignition
- Flowform 1 piece base
- Cutout Dimensions (WxD)mm: 553 x 473
- External Dimensions (WxHxD)mm: 580 x 54 x 500
- SAA Approved

Technical Information

Front Left Burner	2000W
Rear Left Burner	1000W
Front Right Burner	1000W
Rear Right Burner	1500W
Maximum Load at 230V	5500W



DK-GAS-4HOB60

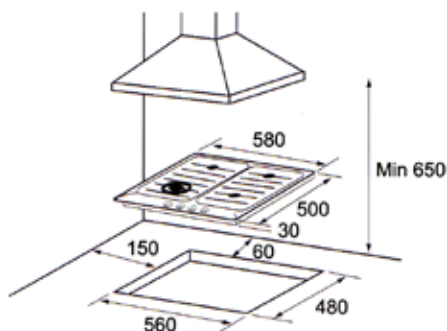
4 BURNER GAS COOKTOP - 580mm

- Stainless Steel
- 4 Burner
- Auto Ignition
- Flowform One Piece Base
- Dimensions (WxHxD)mm: 580 x 95 x 500
- AGA Approved
- Additional Set Of Jets Included For Use With LPG

Technical Information

Rapid Burner	10.8 MJ/h
Semi Rapid Burners	6.3 MJ/h
Auxilliary Burner	3.6 MJ/h

Appliance fitted with a 10amp 3 pin plug.



DK-GAS60-WOK

STAINLESS STEEL GAS COOKTOP + WOK BURNER - 580mm

- Stainless Steel
- 4 Burner
- Auto Ignition
- Flowform One Piece Base
- Dimensions (WxHxD)mm: 580 x 95 x 500
- AGA Approved
- Additional Set Of Jets Included For Use With LPG

Technical Information

Wok Burner	12.6 MJ/h
Semi Rapid Burners	6.3 MJ/h
Auxilliary Burner	3.6 MJ/h

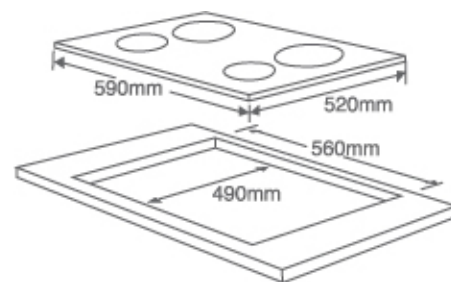
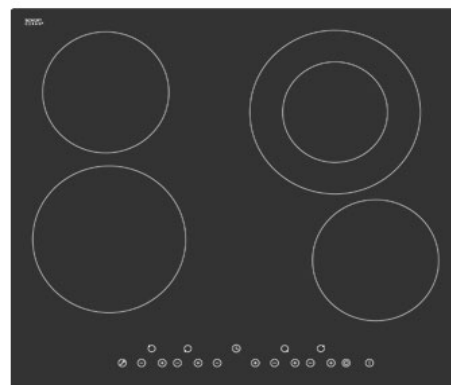
Appliance fitted with a 10amp 3 pin plug.

CER60-T2 CERAMIC GLASS ELECTRIC COOKTOP WITH TOUCH CONTROLS - 590mm

- Four Hot Plates Including 1 Double Ring
- Thermostat
- Easy to Clean
- 9 Stage Power Setting
- Child Safety Lock
- Timer
- Cutout Dimensions (WxD)mm: 560 x 490
- External Dimensions (WxHxD)mm: 590 x 55 x 520
- SAA Approved

Technical Information

Front Left Burner	1800W
Rear Left Burner	1200W
Front Right Burner	1200W
Rear Right Burner	2200W
Maximum Load at 230V	6400W

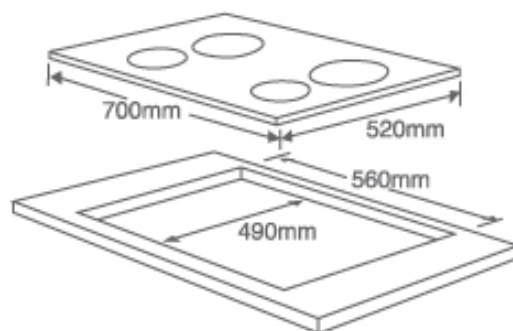
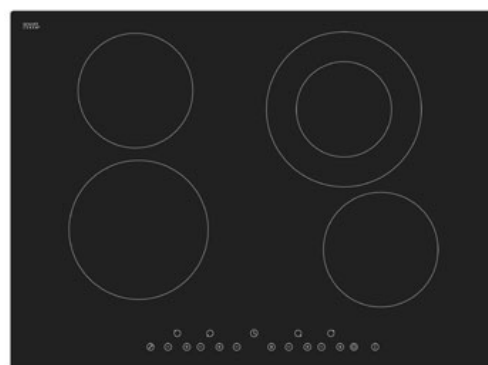


CER70-T CERAMIC GLASS ELECTRIC COOKTOP WITH TOUCH CONTROLS - 700mm

- Four Hot Plates Including 1 Double Ring
- Thermostat
- Easy to Clean
- 9 Stage Power Setting
- Child Safety Lock
- Timer
- Cutout Dimensions (WxD)mm: 560 x 490
- External Dimensions (WxHxD)mm: 700 x 55 x 520
- SAA Approved

Technical Information

Front Left Burner	1800W
Rear Left Burner	1200W
Front Right Burner	1200W
Rear Right Burner	2200W
Maximum Load at 230V	6400W

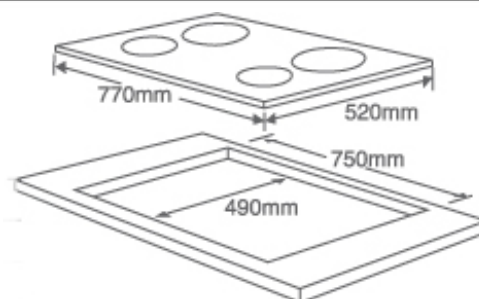
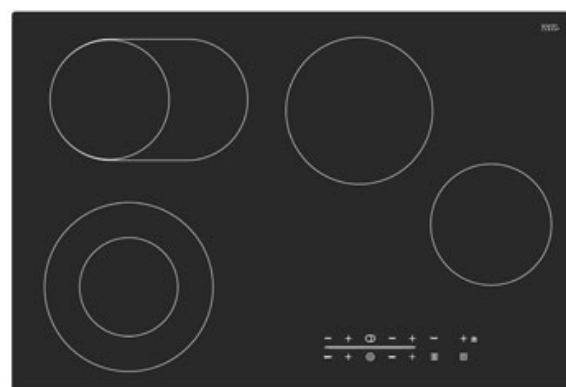


CER77-T CERAMIC GLASS ELECTRIC COOKTOP WITH TOUCH CONTROLS - 770mm

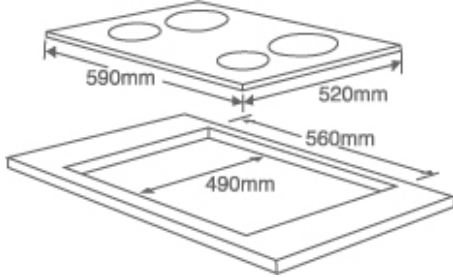
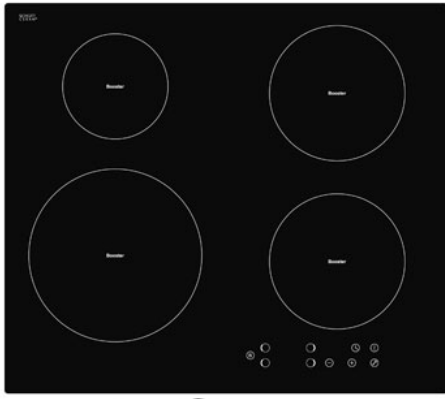
- Four Hot Plates Including 1 Double Ring
- Thermostat
- Easy to Clean
- 9 Stage Power Setting
- Child Safety Lock
- Timer
- Cutout Dimensions (WxD)mm: 750 x 490
- External Dimensions (WxHxD)mm: 770 x 55 x 520
- SAA Approved

Technical Information

Front Left Burner	2200W
Rear Left Burner	2000W
Front Right Burner	1200W
Rear Right Burner	1800W
Maximum Load at 230V	7200W



COOKTOPS

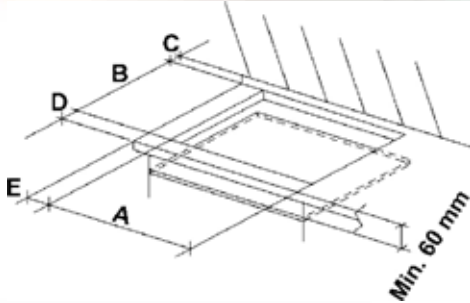


IND60-BT CERAMIC GLASS INDUCTION COOKTOP WITH TOUCH CONTROLS - 590mm

- Four Hot Plates
- 4 Boost
- Pan Sensor
- Easy to Clean
- 9 Stage Power Setting
- Child Safety Lock
- Timer
- Cutout Dimensions (WxD)mm: 560 x 490
- External Dimensions (WxHxD)mm: 590 x 55 x 520
- SAA Approved

Technical Information

Front Left Burner	2200W / 2800W with boost
Rear Left Burner	1500W / 2000W with boost
Front Right Burner	1500W / 2000W with boost
Rear Right Burner	2000W / 2800W with boost
Maximum Load at 230V	7200W



	A	B	C	D	E
4F (60)	553	473	67.5	59.5	100 min.

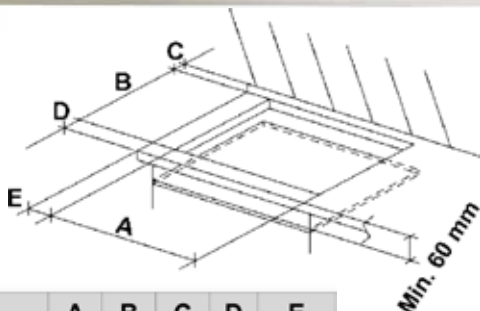
IGC60-WOK-F STAINLESS STEEL GAS COOKTOP + FFD & CAST IRON TRIVETS - 580mm

- 4 Burners
- Stainless Steel
- 1 x Triple Ring Wok Burner
- Cast Iron Trivets
- Extra Set Of Jets Included For Use With LPG
- Flowform One Piece Base
- Flame Failure Device
- Made in Italy

Technical Information

Wok Burner	12.6 Mj/h
Rapid Burner	9.0 Mj/h
Semi Rapid Burner	7.0 Mj/h
Auxilliary Burner	4.3 Mj/h

Appliance fitted with a 10amp 3 pin plug.



	A	B	C	D	E
5F (70)	553	473	67.5	59.5	175 min.

IGC70-WOK-F STAINLESS STEEL GAS COOKTOP + FFD & CAST IRON TRIVETS - 680mm

- 5 Burners
- 1 x Triple Ring Wok Burner
- Cast Iron Trivets
- Cut Out Dimensions Same as 580mm Cooktop
- Extra Set Of Jets Included For Use With LPG
- Flowform One Piece Base
- Flame Failure Device
- Made in Italy

Technical Information

Wok Burner	12.6 Mj/h
Rapid Burner	9.0 Mj/h
Semi Rapid Burners	5.0 Mj/h
Auxilliary Burner	3.6 Mj/h

Appliance fitted with a 10amp 3 pin plug.

GAS90-WOK

STAINLESS STEEL GAS COOKTOP

+ WOK BURNER - 860mm

- Includes Centre Triple Ring Wok Burner
- Electric Ignition Under Knob
- Made in Italy
- Stainless Chrome Knobs
- Front Knob Controls
- Slim Line Design with Cast Iron Trivets
- One Piece Press For Ease of Cleaning
- Additional Set of Jets Included For Use With LPG

Technical Information

Wok Burner 12.6 Mj/h

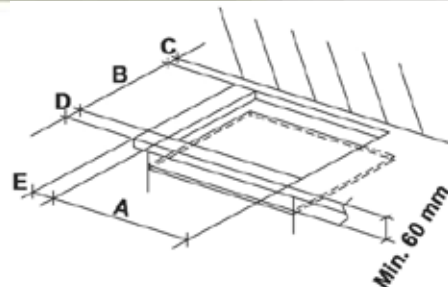
Rapid Burner 9.0 Mj/h

Semi Rapid Burners 5.0 Mj/h

Auxilliary Burner 3.6 Mj/h

Appliance fitted with a 10amp 3 pin plug.

COOKTOPS



	A	B	C	D	E
5F	833	475	62.5	62.5	73.5 min.

IGC90-WOK-F

STAINLESS STEEL GAS COOKTOP

+ FFD + WOK BURNER - 860mm

- Includes Centre Triple Ring Wok Burner
- Electric Ignition Under Knob
- Made in Italy
- Stainless Chrome Knobs
- Front Knob Controls
- Slim Line Design With Cast Iron Trivets
- One Piece Press For Ease Of Cleaning
- Additional Set Of Jets Included For Use With LPG
- Flame Failure Device

Technical Information

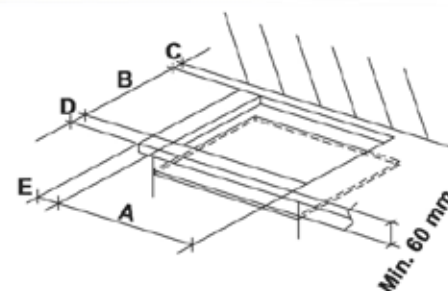
Wok Burner 12.6 Mj/h

Rapid Burner 9.0 Mj/h

Semi Rapid Burners 5.0 Mj/h

Auxilliary Burner 3.6 Mj/h

Appliance fitted with a 10amp 3 pin plug.



	A	B	C	D	E
5F	833	475	62.5	62.5	73.5 min.

IGC90-FISH-F

STAINLESS STEEL GAS COOKTOP

+ FFD + FISH & WOK BURNER - 860mm

- Includes Centre Fish Burner & Front Left Wok Burner
- Electric Ignition Under Knob
- Made in Italy
- Stainless Chrome Side Control Knobs
- Slim Line Design With Cast Iron Trivets
- One Piece Press For Ease Of Cleaning
- Additional Set Of Jets Included For Use With LPG
- Flame Failure Device

Technical Information

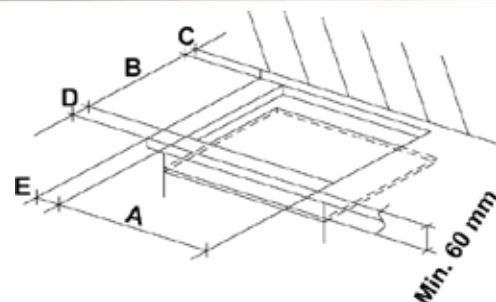
Fish Burner 10.1 Mj/h

Wok Burner 12.6 Mj/h

Semi Rapid Burners 5.0 Mj/h

Auxilliary Burner 3.6 Mj/h

Appliance fitted with a 10amp 3 pin plug.



	A	B	C	D	E
5F	833	475	62.5	62.5	73.5 min.

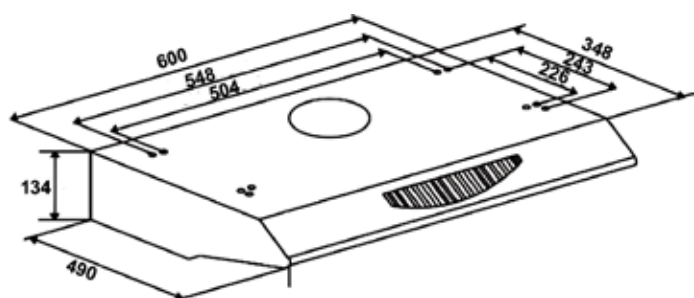
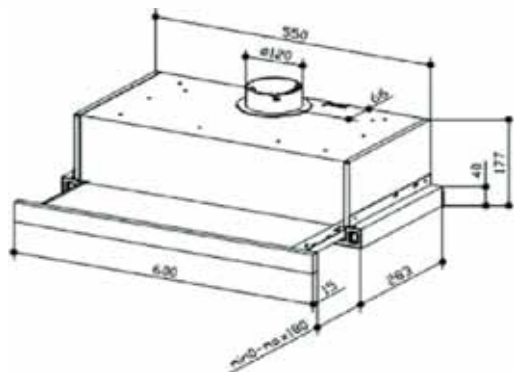
RANGEHOODS

SLR-6000

SLIDE OUT RANGEHOOD - 600mm

- 600mm Slide Out Rangehood
- Auto on/off Switch
- Twin Motor
- 2 X 25W Lamps
- 2 Speed Control
- Stainless Steel Panel
- 440m³ Air Flow
- Dishwashable Filters
- 40mm Fascia Panel
- Dimensions (WxHxD): 600mm x 180mm x 300mm

Note: Charcoal filters are sold seperately (required in re-circulating use)



FMH60

FIXED MOUNT RANGEHOOD- 600mm

- 600mm Slide Out Rangehood
- Twin Motor
- 2 X 40W Lamps
- 3 Speed Control
- Stainless Steel Panel
- 350m³ Air Flow
- Dishwashable Filters
- Dimensions (WxHxD): 600mm x 130mm x 490mm

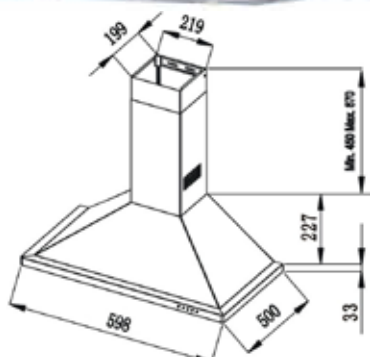
Note: Charcoal filters are sold seperately (required in re-circulating use)

RHD-TAPE-60S

STAINLESS STEEL TAPERED CANOPY RANGEHOOD- 600mm

- 600mm Stainless Steel Tapered Canopy
- on/off Switch
- 2 X 25W Halogen Lamps
- 3 Speed Control
- Stainless Steel Panel
- 2 Piece Flue Extendable to 1m
- 700m³ Air Flow
- 60dB
- Metal Filters
- Air Outlet 150mm
- Exhaust Hose 2m
- Dimensions: W598mm x D500mm x H710 - 1130mm

Note: Charcoal filters are sold seperately (required in re-circulating use)



RHD60-CURV

STAINLESS STEEL CURVED GLASS CANOPY RANGEHOOD - 600mm

- Wall Mounted 600mm
- Stylish Stainless Steel Design
- Push Button Control
- 650m³/h Air Flow
- 3 Speed Fan
- Twin Lights
- Dishwashable Filter
- Extendable Flue to 1m

Note: Charcoal filters are sold seperately (required in re-circulating use)



UMH-70

UNDER MOUNT RANGEHOOD - 700mm

- 700mm Stainless Steel Under Mount Rangehood
- on/off Switch
- 2 X 20W Halogen Lamps
- 3 Speed Control
- Stainless Steel Panel
- 650m³ Per Hour Air Flow
- 58dB
- Metal Filters
- Air Outlet 150mm / 120mm
- Slide Switch Control
- Dimensions: W696mm x D286mm x H250mm

Note: Charcoal filters are sold seperately (required in re-circulating use)

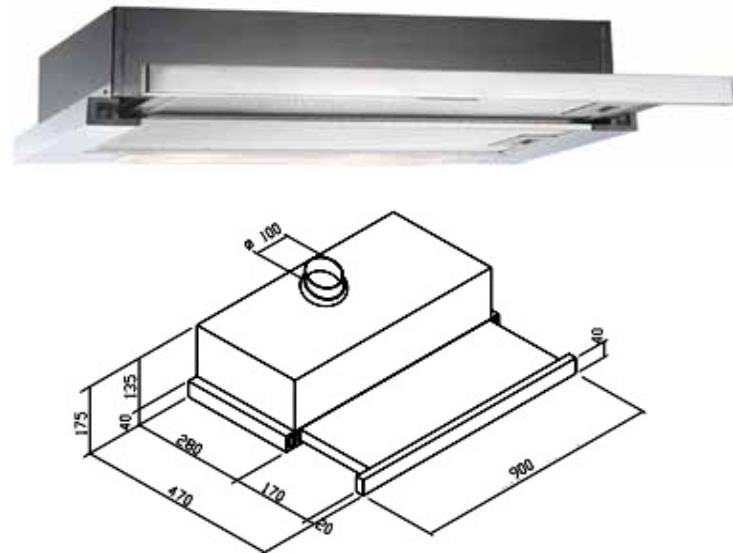


SLR-9000

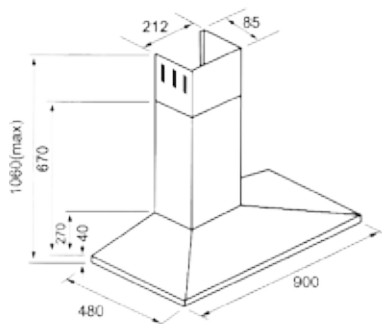
SLIDE OUT RANGEHOOD - 900mm

- 900mm Slide Out Rangehood
- Auto on/off Switch
- Twin Motor
- 1 X Lamp
- 2 Speed Control
- Stainless Steel Panel
- 500m³ Air Flow
- Dishwashable Filters
- 40mm Fascia Panel
- Made In Italy
- Dimensions (WxHxD): 900mm x 170mm x 470mm

Note: Charcoal filters are sold seperately (required in re-circulating use)



RANGEHOODS

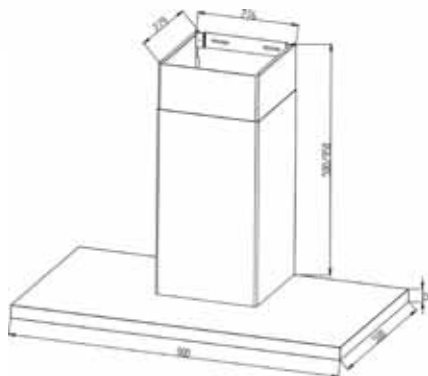


RHD-TAPE-90S

STAINLESS STEEL TAPERED CANOPY RANGEHOOD - 900mm

- Wall Mounted 900mm
- Stylish Stainless Steel Design
- Push Button Control
- 600m³/h Motor
- 3 Speed Fan
- Twin Lights
- Dishwashable Filters
- Stainless Steel Telescopic Flue Extendable to 1m

Note: Charcoal filters are sold separately (required in re-circulating use)

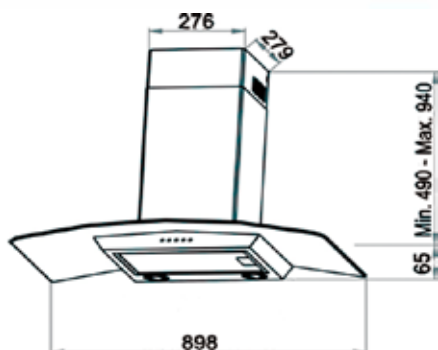


RHD90-FLAT

STAINLESS STEEL FLAT CANOPY RANGEHOOD - 900mm

- Wall Mounted 900mm
- Stylish Stainless Steel Design
- Push Button Control
- LED Light Indicators
- 700m³/h Motor
- 3 Speed Fan
- Twin Lights
- Dishwashable Filters
- Stainless Steel Telescopic Flue Extendable to 1m

Note: Charcoal filters are sold separately (required in re-circulating use)



RHD90-CURVE

STAINLESS STEEL CURVED GLASS CANOPY RANGEHOOD - 900mm

- Wall Mounted 900mm
- Stylish Stainless Steel Design
- Push Button Control
- 700m³/h Air Flow
- 3 Speed Fan
- Twin Lights
- Dishwashable Filters
- Extendable Flue to 1m

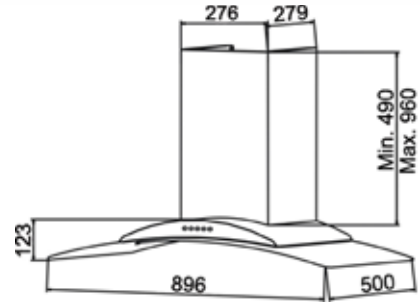
Note: Charcoal filters are sold separately (required in re-circulating use)

PCR-90

STAINLESS STEEL CURVED GLASS CANOPY RANGEHOOD - 900mm

- Wall Mounted 900mm
- Stylish Stainless Steel Design
- Push Button Control
- LED Light Indicators
- 700m³/h Air Flow
- 3 Speed Fan
- Twin Lights
- Dishwashable Filters
- Stainless Steel Telescopic Flue Extendable to 1m

Note: Charcoal filters are sold seperately (required in re-circulating use)

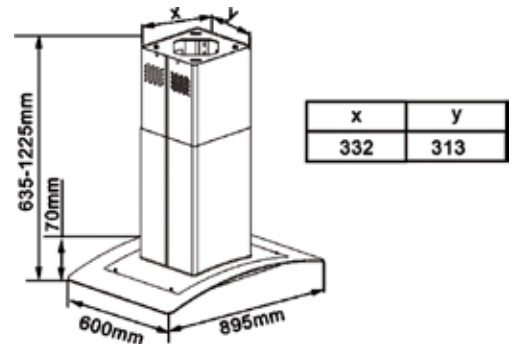


ISL-909

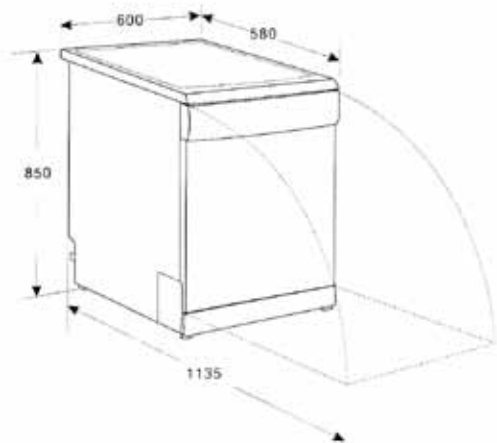
STAINLESS STEEL CURVED GLASS ISLAND RANGEHOOD - 900mm

- Roof Mounted Island Rangehood 900mm
- Stylish Stainless Steel Design
- Push Button Control
- 600m³/h Air Flow
- 3 Speed Fan
- 4x5W Lamps
- Dishwashable Filters
- Stainless Steel Telescopic Flue Extendable to 1m

Note: Charcoal filters are sold seperately (required in re-circulating use)



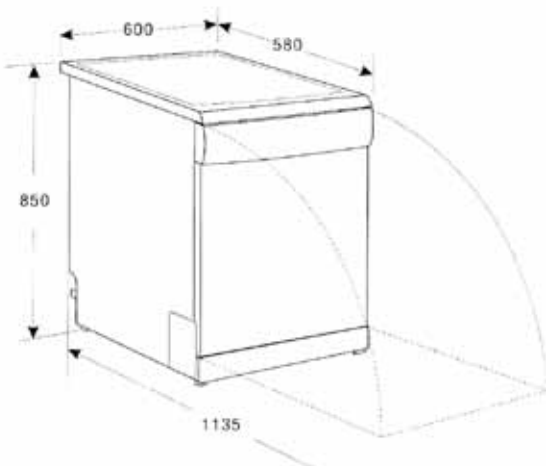
DISHWASHERS



DW-60-SS

STAINLESS STEEL DISHWASHER - 600mm

- Simple Electronic Freestanding Dishwasher
- 12 Standard Place Settings
- 5 Washing Programs
- Stainless Steel Interior
- Adjustable Automatic Rinse Agent Dispenser
- Automatic Detergent Dispenser
- Safety Interlock Door Mechanism
- Super Quiet Operation
- Removable Top For Built in Installation
- 55dBa
- 4 Star Water Rating
- WELS Approved
- MEPS Approved
- Dimensions (WxHxD): 600mm x 850mm x 600mm



DS8000

STAINLESS STEEL DISHWASHER - 600mm

- Simple Electronic Freestanding Dishwasher
- 12 Standard Place Settings
- 5 Washing Programs
- Stainless Steel Interior
- Adjustable Automatic Rinse Agent Dispenser
- Automatic Detergent Dispenser
- Safety Interlock Door Mechanism
- Super Quiet Operation
- Removable Top For Built in Installation
- 55dBa
- 4 Star Water Rating
- WELS Approved
- MEPS Approved
- Flat Panel Modern European Design
- Dimensions (WxHxD): 600mm x 850mm x 600mm

SINKS

POL-100-L (Left Hand Bowl) (pictured)
POL-100-R (Right Hand Bowl)
POL-100-N (No Tap Hole)

POLISHED SINGLE BOWL KITCHEN SINK & DRAINER - 780mm

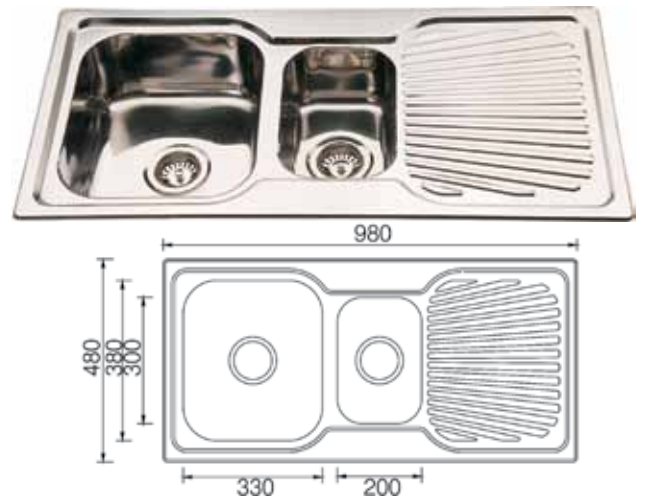
- Deep Bowl Stainless Steel Sink
- Polished Finish
- 0.9mm 18/10 Grade Stainless Steel
- Laser Cut Edges
- Overall Length: 780mm
- Supplied with Designer Waste and Plug
- Cutout Dimensions (LxW): 755mm x 455mm
- Dimensions (LxWxD): 780mm x 480mm x 170mm
- Bowl Size (LxWxD): 330mm x 380mm x 170mm



POL-150-L (Left Hand Bowl) (pictured)
POL-150-R (Right Hand Bowl)
POL-150-N (No Tap Hole)

POLISHED 1+1/2 BOWL KITCHEN SINK & DRAINER - 980mm

- Deep Bowl Stainless Steel Sink
- Polished Finished
- 0.9mm 18/10 Grade Stainless Steel
- Laser Cut Edges
- Overall Length: 1080mm
- Supplied with Designer Waste and Plug
- Cutout Dimensions (LxW)mm: 955 x 455
- Dimensions (LxWxD)mm: 980 x 480 x 170
- Main Bowl Size (LxWxD)mm: 330 x 380 x 170
- Second Bowl Size (LxWxD)mm: 200 x 300 x 145



POL-175-L (Left Hand Bowl) (pictured)
POL-175-R (Right Hand Bowl)
POL-175-N (No Tap Hole)

POLISHED 1+3/4 BOWL KITCHEN SINK & DRAINER - 1080mm

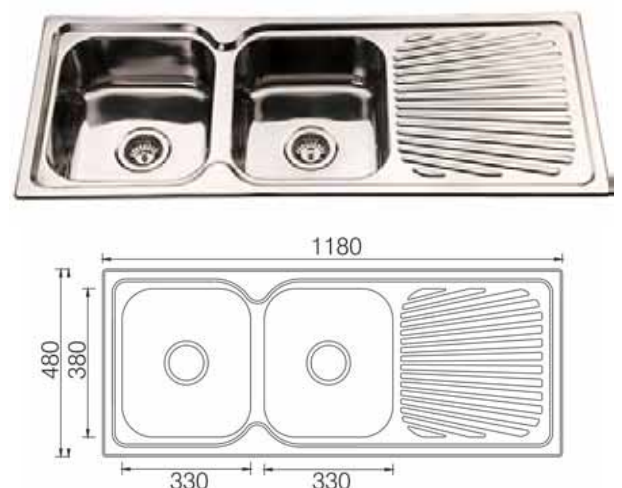
- Deep Bowl Stainless Steel Sink
- Polished Finished
- 0.9mm 18/10 Grade Stainless Steel
- Laser Cut Edges
- Overall Length: 1080mm
- Supplied with Designer Waste and Plug
- Cutout Dimensions (LxW): 1055mm x 455mm
- Dimensions (LxWxD): 1080mm x 480mm x 170mm
- Main Bowl Size (LxWxD): 330mm x 380mm x 170mm
- Second Bowl Size (LxWxD): 278mm x 278mm x 145mm



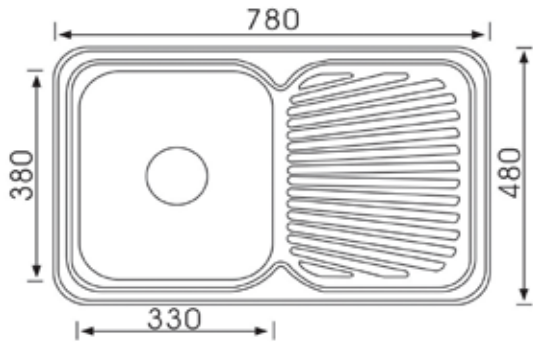
POL-200-L (Left Hand Bowl) (pictured)
POL-200-R (Right Hand Bowl)
POL-200-N (No Tap Hole)

POLISHED DOUBLE BOWL KITCHEN SINK & DRAINER - 1180mm

- Deep Bowl Stainless Steel Sink
- Polished Finish
- 0.9mm 18/10 Grade Stainless Steel
- Laser Cut Edges
- Overall Length: 1180mm
- Supplied with Designer Waste and Plug
- Cutout Dimensions (LxW): 1155mm x 455mm
- Dimensions (LxWxD): 1180mm x 480mm x 170mm
- Main Bowl Size (LxWxD): 330mm x 380mm x 170mm
- Second Bowl Size (LxWxD): 330mm x 380mm x 170mm



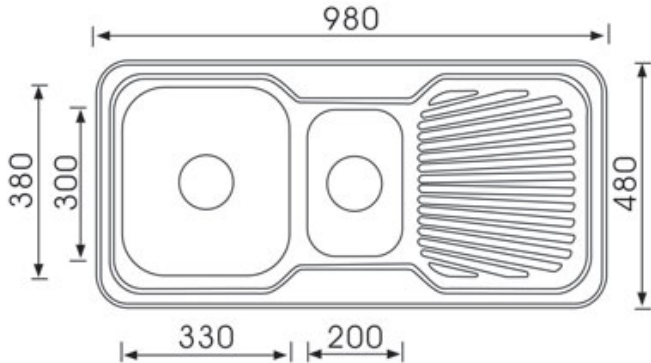
SINKS



LD-100R (Right Hand Bowl)
RD-100L (Left Hand Bowl) (pictured)
LD-100N (no tap hole)

SINGLE BOWL KITCHEN SINK & DRAINER - 780mm

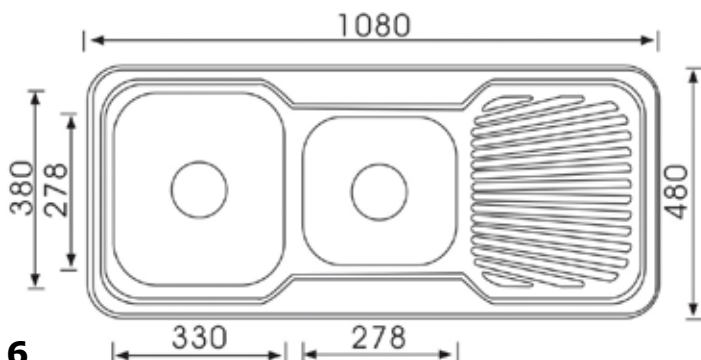
- Deep Bowl Stainless Steel Sink
- 0.8mm 18/10 Grade Stainless Steel
- Laser Cut Edges
- Overall Length: 780mm
- Supplied with Designer Waste and Plug
- Cutout Dimensions (LxW): 755mm x 455mm
- Dimensions (LxWxD): 780mm x 480mm x 170mm
- Bowl Size (LxWxD): 330mm x 380mm x 170mm



LD-150R
RD-150L (pictured)
LD-150N (no tap hole)

1+1/2 BOWL KITCHEN SINK & DRAINER - 980mm

- 1+1/2 Bowl Stainless Steel Sink
- 0.8mm 18/10 Grade Stainless Steel
- Overall Length: 980mm
- Supplied With Designer Waste and Plug
- Cutout Dimensions (LxW)mm: 955 x 455
- Dimensions (LxWxD)mm: 980 x 480 x 170
- Main Bowl Size (LxWxD)mm: 330 x 380 x 170
- Second Bowl Size (LxWxD)mm: 200 x 300 x 145



LD-175R
RD-175L (pictured)
LD-175N (no tap hole)

1+3/4 BOWL KITCHEN SINK & DRAINER - 1080mm

- 1+3/4 deep Bowl Stainless Steel Sink
- 0.8mm 18/10 Grade Stainless Steel
- Laser Cut Edges
- Overall Length: 1080mm
- Supplied With Designer Waste and Plug
- Cutout Dimensions (LxW)mm: 1055 x 455
- Dimensions (LxWxD)mm: 1080 x 480 x 170
- Main Bowl Size (LxWxD)mm: 330 x 380 x 170
- Second Bowl Size (LxWxD)mm: 278 x 278 x 145

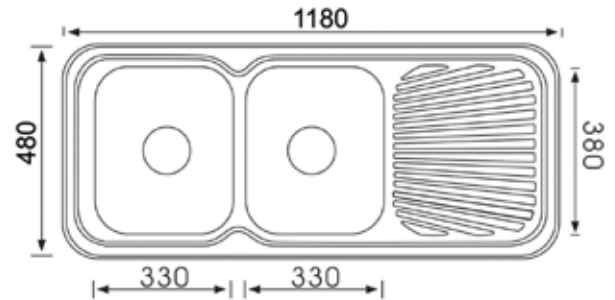
LD-200R (Right Hand Bowl)

RD-200L (Left Hand Bowl) (pictured)

LD-200N (no tap hole)

DOUBLE BOWL KITCHEN SINK & DRAINER - 1180mm

- Deep Bowl Stainless Steel Sink
- 0.8mm 18/10 Grade Stainless Steel
- Laser Cut Edges
- Overall Length: 1180mm
- Supplied with Designer Waste and Plug
- Cutout Dimensions (LxW): 1155mm x 455mm
- Dimensions (LxWxD): 1180mm x 480mm x 170mm
- Main Bowl Size (LxWxD): 330mm x 380mm x 170mm
- Second Bowl Size (LxWxD): 330mm x 380mm x 170mm

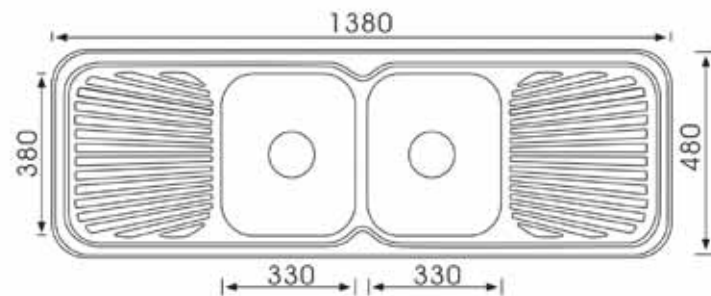


DD-200 (pictured)

DD-200N (no tap hole)

DOUBLE BOWL KITCHEN SINK & DOUBLE DRAINER - 1380mm

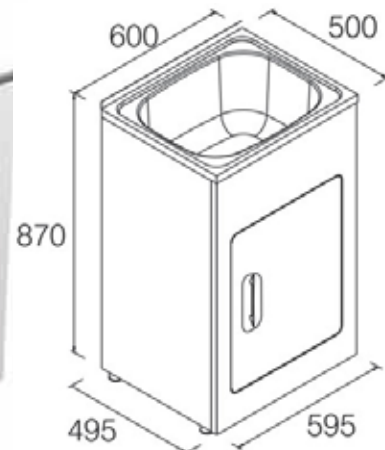
- 1+1 Deep Bowl Stainless Steel Sink
- 0.9mm 18/10 Grade Stainless Steel
- Laser Cut Edges
- Overall Length: 1180mm
- Supplied With Designer Waste and Plug
- Cutout Dimensions (LxW)mm: 1355 x 455
- Dimensions (LxWxD)mm: 1380 x 480 x 170
- Main Bowl Size (LxWxD)mm: 330 x 380 x 170
- Second Bowl Size (LxWxD)mm: 330 x 380 x 170



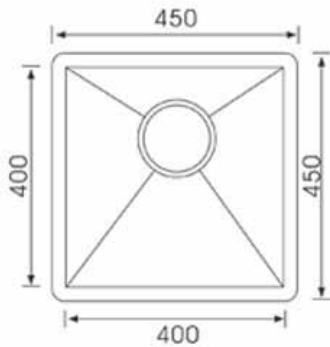
LND60-PACK

LAUNDRY TROUGH & CABINET PACK - 600mm

- 60cm Stainless Steel Laundry Trough
- High Polish Finish
- 45 Litre Tub
- A4 Waste & Bypass Kit
- Powder Coated Cabinet
- Flat Packed
- Dimensions: H900mm x W600mm x D500mm

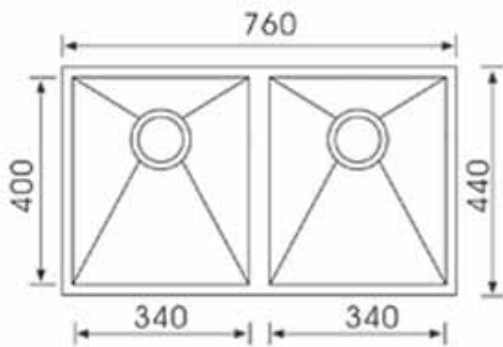


SINKS



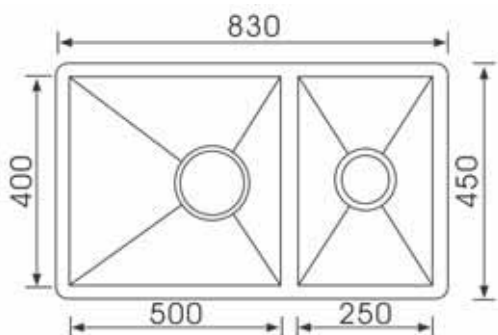
UM-450 SINGLE BOWL UNDERMOUNT KITCHEN SINK - 450mm

- Deep Single Bowl
- Stainless Steel (satin finish)
- 1.2mm 304 Grade
- Modern Undermount Design
- Square Shape
- Central Plug Hole
- Supplied With Designer Waste and Plug
- Dimensions: L450 x W450 x D250mm
- Bowl Size: L400 x W400mm



UM-760 DOUBLE BOWL UNDERMOUNT KITCHEN SINK - 760mm

- Deep Double Bowl
- Stainless Steel (satin finish)
- 1.2mm 304 Grade
- Modern Undermount Design
- Square Shape
- Central Plug Holes
- Supplied With Designer Waste and Plug
- Dimensions: L760 x W440 x D250mm
- Bowl Sizes: L340 x W400mm



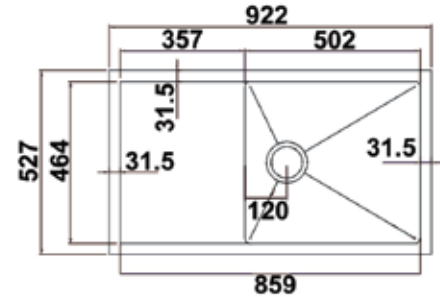
UM-830 1+1/2 BOWL UNDERMOUNT KITCHEN SINK - 830mm

- Deep 1+1/2 Bowl
- Stainless Steel (satin finish)
- 1.2mm 304 Grade
- Modern Undermount Design
- Square Shape
- Central Plug Holes
- Supplied With Designer Waste and Plug
- Dimensions: L830 x W450 x D250mm
- Main Bowl Size: L500 x W400mm
- Second Bowl Size: L250 x W400mm

UM-922D

SINGLE BOWL UNDERMOUNT KITCHEN SINK WITH DRAINER - 922mm

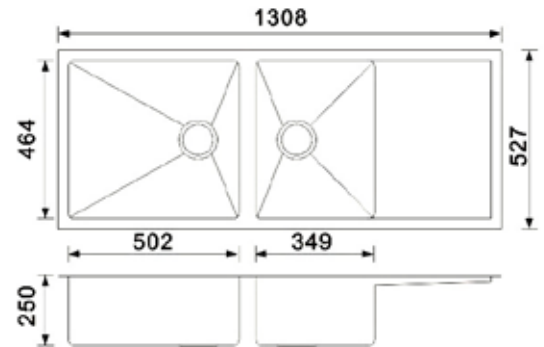
- Deep Single Bowl
- Stainless Steel (satin finish)
- 1.2mm 304 Grade
- Modern Undermount Design
- Square Shape
- Central Plug Hole
- Supplied With Designer Waste and Plug
- Dimensions: L450 x W450 x D250mm
- Bowl Size: L400 x W400mm



UM-1308D

DOUBLE BOWL UNDERMOUNT KITCHEN SINK WITH DRAINER - 1308mm

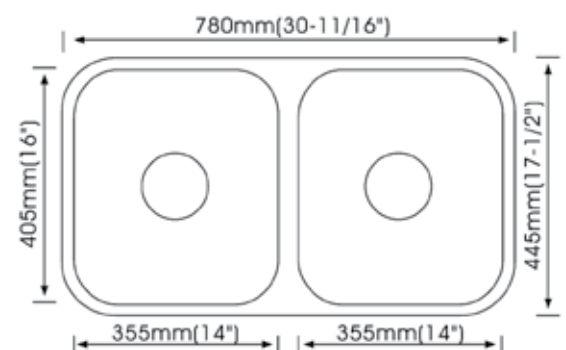
- Deep Single Bowl
- Stainless Steel (satin finish)
- 1.2mm 304 Grade
- Modern Undermount Design
- Square Shape
- Central Plug Hole
- Supplied With Designer Waste and Plug
- Dimensions: L450 x W450 x D250mm
- Bowl Size: L400 x W400mm



UMP-56

DOUBLE BOWL UNDERMOUNT KITCHEN SINK - 780mm

- Deep Double Bowl
- Stainless Steel (polished finish)
- 0.9mm 304 Grade
- Modern Undermount Design
- Rounded Bowl Shape
- Central Plug Holes
- Supplied with Designer Waste and Plug
- Dimensions: L785 x W450 x D200mm
- Bowl Sizes: L355 x W405mm





CP-MK6004

COMMON FLICK MIXER TAP

- 40mm Cartridge
- Flow Rate 8.0 L/min
- Benchtop Hole Diameter 37mm
- Spout Reach Length: 226mm
- Spout Reach Height: 129mm
- 3 Star Water Rating
- KPA 140 - 1500
- WELS Certified



CP-MK6008

PULL OUT FLICK MIXER TAP

- 40mm Cartridge
- Flow Rate 8.0 L/min
- Benchtop Hole Diameter 32-38mm
- Spout Reach Length 189mm
- Spout Reach Height 118mm
- Pull Out Spout
- KPA 140-1500
- 3 Star Water Rating
- WELS Certified



CP-MT3100

KITCHEN MIXER TAP

- 35mm Cartridge
- Flow Rate 7.5 L/min
- Benchtop Hole Diameter 32-38mm
- Spout Reach Length 187mm
- Spout Reach Height 214mm
- KPA 140-1500
- 4 Star Water Rating
- WELS Certified

CP-F30**ROUNDED FLAT SPOUT MIXER TAP**

- 35mm Cartridge
- Flow Rate 7.5 L/min
- Benchtop Hole Diameter 32-38mm
- Spout Reach Length 400mm
- Spout Reach Height 250mm
- Flat/Wide Spout
- KPA 140-1500
- 4 Star Water Rating
- WELS Certified

**F-31****SQUARE FLAT SPOUT MIXER TAP**

- 35mm Cartridge
- Flow Rate 7.5 L/min
- Benchtop Hole Diameter 32-38mm
- Spout Reach Length 450mm
- Spout Reach Height 235mm
- Flat/Wide Spout
- KPA 140-1500
- 4 Star Water Rating
- WELS Certified

**CP-F0052****SINGLE ACTION SPRAY MIXER TAP**

- 35mm Cartridge
- Flow Rate 7.5 L/min
- Benchtop Hole Diameter 32-38mm
- Spout Reach Length 208mm
- Spout Reach Height 166mm
- Detachable Sprayer With Flexible Hose
- KPA 140-1500
- 4 Star Water Rating
- WELS Certified

**CP-F0057****DUAL ACTION SPRAY MIXER TAP**

- 35mm Cartridge
- Flow Rate 7.5 L/min
- Benchtop Hole Diameter 32-38mm
- Spout Reach Length 208mm
- Spout Reach Height 166mm
- Detachable Sprayer With Flexible Hose
- Additional Water Outlet
- KPA 140-1500
- 4 Star Water Rating
- WELS Certified





Domain appliances are supplied with a full 2 year parts and labour warranty.

Our nationwide service and technical support team can be contacted on our National Customer Service Number

1300 438 266

2/9 Kelletts Rd,
Rowville VIC 3178
P: (03) 9763 8988
F: (03) 9763 8978
E: info@domainappliances.com.au

2
YEAR
WARRANTY

www.domainappliances.com.au

Domain Appliances reserves the right to change technical data and images without notice.